

KIT-3104XE-CL/4-BS31A11M

4 Channel 1080N XVR with 4 x 720P Plastic HD Cameras



Key Features

XVR Model: 3104XE-CL

- Universal plug-n-play for AHD/TVI/CVI/CVBS technology
- Friendly and intuitive GUI(Graphic User Interface)
- Support Cloud Service to enable remote monitoring in single click
- Support mobile phone monitoring (IOS/ Android)
- Support VGA, HDMI and CVBS simultaneously output
- Support more than 10 languages



Camera Model: BS31A11M

- Crystal clear image to provide more details
- Real-time data transmission without any delay
- Long distance transmission which could be 500m via coaxial cable
- AHD/TVI/CVI 3 in 1
- Built-in with UTC chipset for flexible remote switch output technology



Specifications

Model	3104XE-CL
Compression	H.264
Operating System	Embedded LINUX
Main Processor	Embedded Processor
RAM	1GB
FLASH	8MB
Input Mode	4CH BNC; 2CH IP+2CH BNC; 4CH IP
Output	VGA/HDMI/BNC
Audio	1 in / 1 out
Recording	4CH 1080N@14fps
Recording Type	Timing, Manual, Motion Detection alarm send email, External Alarm
Playback	1CH * 1080N@12fps
Search Mode	Time/ Date, Event and Channel Search

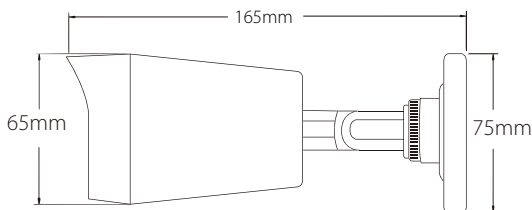
USB	USB2.0* 2
Backup File Format	DAV, AVI
Browsers	IE/Chrome/Firefox
Smart Phone	Support iPhone, Android
Hard Disk	1 SATA
Network Port	10 / 100 Mbps Ethernet (RJ-45)
Network Protocol	TCP/IP, DHCP, DDNS, NTP, SMTP
Power Supply	DC12V /2A
Working Temperature	-10°C ~60°C
Working Humidity	10% ~ 90% Humidity
Dimensions	200mmx170mmx60mm

Model	BS31A11M
Image Sensor	1/4" CMOS Sensor
Lens Type	2.8mm fixed lens
Resolution	720P@25fps
Signal Out Type	AHD/TVI/CVI
UTC(OSD)	Supported
IR Board	12pcs SMT LED
IR Distance	20M
Casing	Plastic mini Bullet

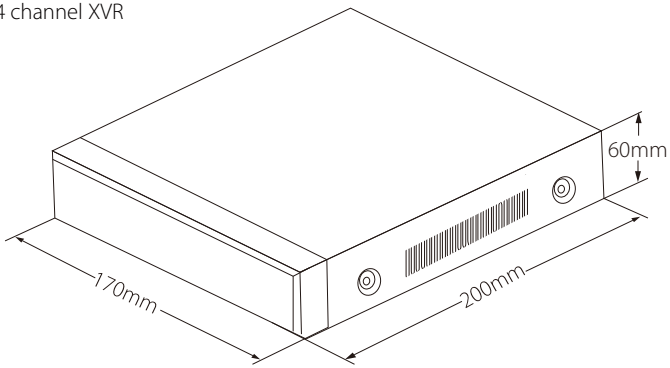
Effective Pixels	1280x720
Minimum Illumination	0.1Lux/F2.4 (color) 0 Lux with IR on
Electronic Shutter Speed	1/50(1/60)~1/10,000sec
Day/Night	Auto ICR
Power Supply	DC12V±10%
Working Environment	-10 C ~ 60 C , Humidity< 90% RH
Power Consumption	3.2W
Dimensions	165mmx75mmx65mm

Dimensions (mm)

720P Analog Camera



4 channel XVR



Package

XVR 3104XE-CL * 1
Camera BS31A11M * 4
12V/2A Power Adapter * 2
18m BNC/Power Cable * 4
1 split 4 Power line * 1
Mouse * 1



More details